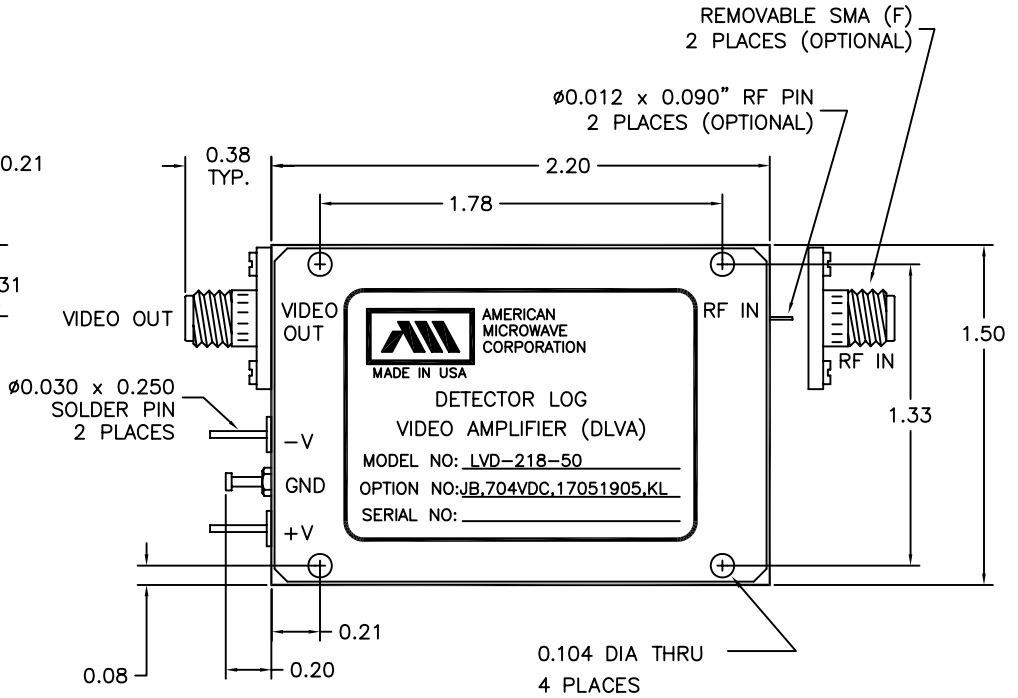
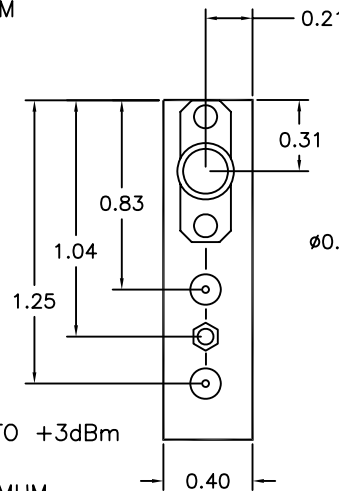


DESCRIPTION

AMC MODEL LVD-218-50 OPTIONS: JB, 704VDC, 10751905, KL IS A 50 dB DETECTOR LOG VIDEO AMPLIFIER DESIGNED FOR USE OVER THE FULL 17.5 TO 19.5 GHz FREQUENCY RANGE WITH TRUE DC COUPLING.

SPECIFICATIONS

- FREQUENCY RANGE: 17.5 TO 19.5 GHz
- FREQUENCY FLATNESS
 - @ -23 dBm: ± 1.5 dB MAXIMUM
- LOGGING RANGE: -40 TO 3 dBm MINIMUM
- DYNAMIC RANGE: -37 TO +3 dBm
- LOG LINEARITY
 - +3 TO -37 dBm: ± 1.0 dB MAXIMUM
- LOG SLOPE: 50 mV/dB ±10%
- OUTPUT LEVEL STABILITY: ± 0.75 dB MAXIMUM (0°C TO +85°C)
- PULSE RESPONSE: 50 nSec TO CW
- RISE TIME @ TSS +10 dB: 20 nSec MAXIMUM
- RECOVERY TIME TO WITHIN ± 1 dB OF BASELINE: 250 nSec MAXIMUM
- TSS: -40 dBm MINIMUM
- VSWR (RF): 2.0:1 MAXIMUM
- VIDEO LOAD: 100 OHMS
- VIDEO OUTPUT VOLTAGE: 2.5V MAX @ -37dBm TO +3dBm
- DC POWER (NO LOAD)
 - +V: +7.4 V @ 95 mA MAXIMUM
 - -V: -7.4 V @ 60 mA MAXIMUM
- SIZE: 2.2" x 1.5" x 0.4"



OPTIONS:

- 17051905: 17.5 TO 19.5 GHz FREQUENCY RANGE
- JB: INTERNAL CODE
- 704VDC ±7.4 VOLTS LOW VOLTAGE
- KL: 2.0:1 VSWR, -37dBm TO 3dBm DYNAMIC RANGE

ENVIRONMENTAL RATINGS:

- TEMPERATURE: -54°C TO +85°C (OPERATING)
..... -65°C TO +100°C (STORAGE)
- HUMIDITY: MIL-STD-202F, METHOD 103B COND. B
- SHOCK: MIL-STD-202F, METHOD 213B COND. B
- VIBRATION: MIL-STD-202F, METHOD 204D COND. B
- ALTITUDE: MIL-STD-202F, METHOD 105C COND. B
- TEMPERATURE CYCLE: MIL-STD-202F, METHOD 107D COND. A

NOTE: SPECIFICATIONS WILL VARY OVER OPERATING TEMPERATURE
NOTE: THE ABOVE SPECIFICATIONS ARE SUBJECT TO CHANGE OR REVISION

ALL DIMENSIONS ARE IN INCHES
TOLERANCES:
X.XX ±0.020
X.XXX ±0.010

REVISIONS				
ZONE	REV.	DESCRIPTION	DATE	APPROVED
	-	ORIGINAL RELEASE JOB# D708162PEXN	09/05/07	

AMERICAN MICROWAVE CORPORATION

7311-G GROVE ROAD
FREDERICK, MARYLAND 21704 USA
TEL: 301-662-4700 FAX: 301-662-4938
WEBSITE: www.americanmicrowavecorp.com
E-MAIL: sales@americanmicrowavecorp.com
ISO 9001:2000 CERTIFIED

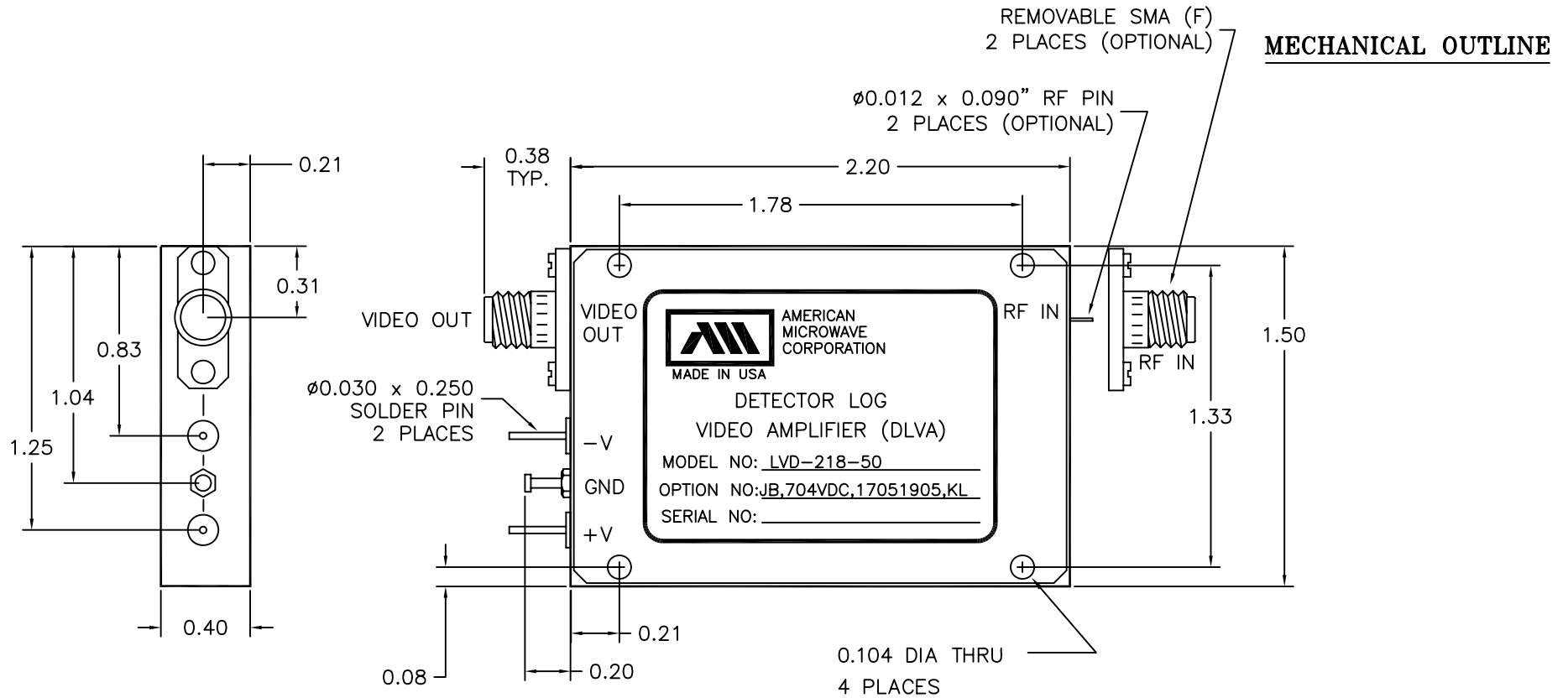


APPROVALS		DATE	TITLE			
DRAWN <i>PRB</i>		9/5/07	PRODUCT FEATURE LVD-218-50			
CHECKED			OPTION: JB, 704VDC, 17051905, KL 1.4-21.5 GHz DETECTOR LOG VIDEO AMPLIFIER			
ISSUED			SIZE	FSCM NO.	DWG NO.	REV.
			A	60483	100-7644-001	-
			SCALE	SHEET		
			N:S	1 OF 3		


DESCRIPTION

AMC MODEL LVD-218-50 OPTIONS: JB, 704VDC, 10751905, KL IS A 50 dB DETECTOR LOG VIDEO AMPLIFIER DESIGNED FOR USE OVER THE FULL 17.5 TO 19.5 GHz FREQUENCY RANGE WITH TRUE DC COUPLING.

REVISIONS				
ZONE	REV.	DESCRIPTION	DATE	APPROVED
	-	ORIGINAL RELEASE JOB# D708162PEXN	09/05/07	



MECHANICAL OUTLINE


AMERICAN MICROWAVE CORPORATION
 MADE IN USA
DETECTOR LOG
VIDEO AMPLIFIER (DLVA)
 MODEL NO: LVD-218-50
 OPTION NO: JB,704VDC,17051905,KL
 SERIAL NO: _____

AMERICAN MICROWAVE CORPORATION

7311-G GROVE ROAD
 FREDERICK, MARYLAND 21704 USA
 TEL: 301-662-4700 FAX: 301-662-4938
 WEBSITE: www.americanmicrowavecorp.com
 E-MAIL: sales@americanmicrowavecorp.com
 ISO 9001:2000 CERTIFIED



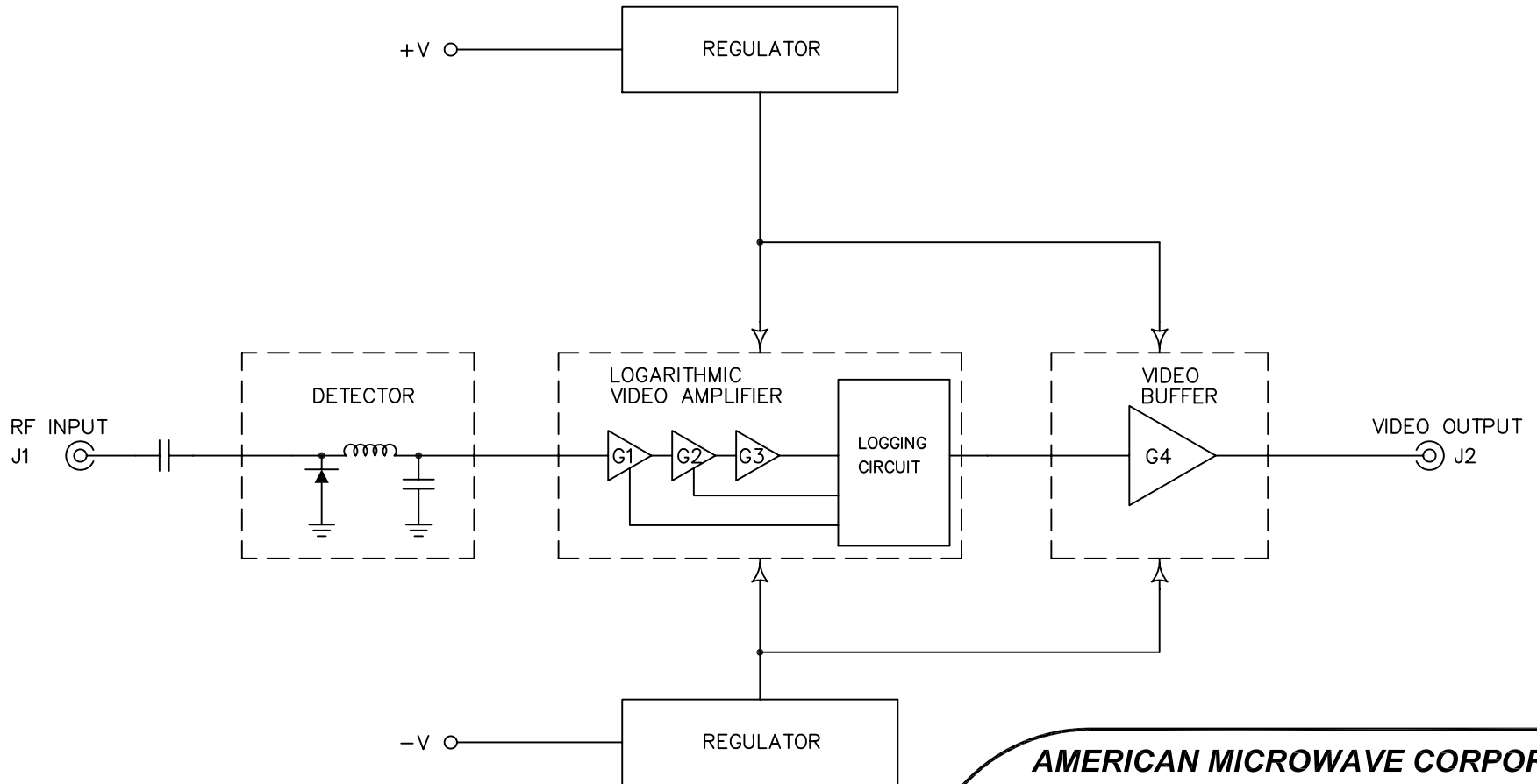
ALL DIMENSIONS ARE IN INCHES
 TOLERANCES:
 X.XX ±0.020
 X.XXX ±0.010

APPROVALS		DATE	TITLE			
DRAWN <i>PRB</i>		9/5/07	MECHANICAL OUTLINE LVD-218-50			
CHECKED			OPTION: JB, 704VDC, 17051905, KL 1.4-21.5 GHz DETECTOR LOG VIDEO AMPLIFIER			
ISSUED			SIZE	FSCM NO.	DWG NO.	REV.
			A	60483	100-7644-001	-
			SCALE	N:S	SHEET	2 OF 3

DESCRIPTION

AMC MODEL LVD-218-50 OPTIONS: JB, 704VDC, 10751905, KL IS A 50 dB DETECTOR LOG VIDEO AMPLIFIER DESIGNED FOR USE OVER THE FULL 17.5 TO 19.5 GHz FREQUENCY RANGE WITH TRUE DC COUPLING.

REVISIONS				
ZONE	REV.	DESCRIPTION	DATE	APPROVED
	-	ORIGINAL RELEASE JOB# D708162PEXN DEPT. OF NAT. DEFENCE, CANADA	09/05/07	



AMERICAN MICROWAVE CORPORATION

7311-G GROVE ROAD
 FREDERICK, MARYLAND 21704 USA
 TEL: 301-662-4700 FAX: 301-662-4938
 WEBSITE: www.americanmicrowavecorp.com
 E-MAIL: sales@americanmicrowavecorp.com
 ISO 9001:2000 CERTIFIED



CONFIDENTIAL AND PROPRIETARY

APPROVALS		DATE	TITLE		
DRAWN	<i>PRB</i>	9/5/07	FUNCTIONAL SCHEMATIC LVD-218-50		
CHECKED			OPTION: JB, 704VDC, 17051905, KL 1.4-21.5 GHz DETECTOR LOG VIDEO AMPLIFIER		
ISSUED			SIZE	FSCM NO.	DWG NO.
			A	60483	100-7644-001
			SCALE	N:S	SHEET 3 OF 3